



Auto HemiLight™₂ Instructions

The Auto HemiLight™₂ is a water-activated personal rescue light. The directions below are for mounting the unit to a Personal Flotation Device (PFD). The Auto HemiLight™₂ fits up to a 2-inch (5 cm) webbing strap.

Directions:

- 1.) Place strap between the bottom of the Auto HemiLight™₂ and the convex side of the blue clip
- 2.) Snap blue clip into the indentation of the Auto HemiLight™₂ to secure

Operating Instructions:

During normal use, leave the switch in the "ON" position. The light will automatically activate if it gets wet. To disable the light, rotate the switch to the "OFF" position.

NOTE: Once installed, the clip cannot be easily removed

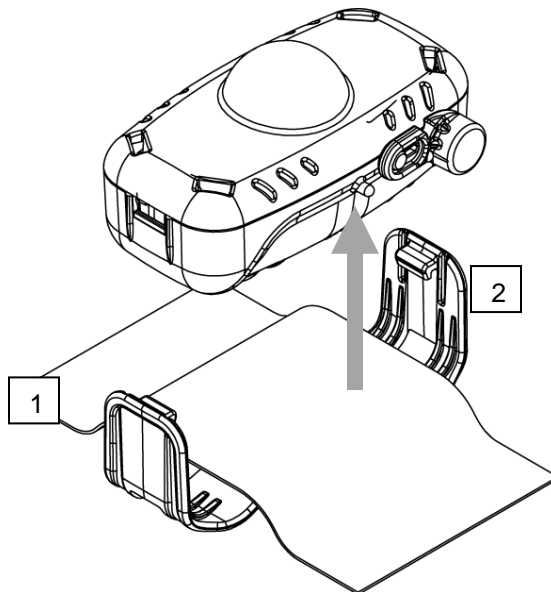
Instructions:

- 1.) Placez la sangle entre le bas du Auto HemiLight™₂ et la partie convexe du clip bleu
- 2.) Refermez le clip sur la boucle de fixation afin de sécuriser l'Auto HemiLight™₂

Instructions d'opérations

Pendant usage normal, lésez le bouton sur la position «on». La lumière s'allumera automatiquement quand mouillée. Pour désactiver la lumière, tournez le bouton a la position «off».

NOTE: Une fois installé, le clip ne peut pas être retirer



CUSTOMER SUPPORT INFORMATION

1.) For general product support information or returns, please contact ACR Technical Service:

| | |
|---|--|
| Email: service@acrartex.com Tel: +(954) 981-3333 Fax: +(954) 983-5087 | Address: Technical Service ACR Electronics, Inc. 5757 Ravenswood Road Fort Lauderdale, FL 33312 USA |
|---|--|

2.) For how to return equipment to ACR:

Visit www.acrartex.com or contact ACR using email, FAX or telephone. (detailed above.)

Explain why you want to return the equipment, give your contact information, and include your equipment description.

LIMITED WARRANTY

This product is warranted against factory defect in material and workmanship for a period of one year from date of purchase or receipt as a gift. During the warranty period ACR Electronics, Inc. will, at its option, repair or replace the unit at no cost to you for labor, materials or return transportation. For further assistance please contact our Technical Service Department at ACR Electronics, Inc., 5757 Ravenswood Road, Fort Lauderdale, FL 33312-6645. Email: service@acrartex.com, Fax: +1 (954) 983-5087, Telephone: +1 (954) 981-3333

This warranty does not apply if the product has been damaged by accident or misuse, or as a result of service or modification by other than the factory. Except as otherwise expressly stated above, the COMPANY MAKES NO REPRESENTATION OR WARRANTY OF ANY KIND, EXPRESS OR IMPLIED, AS TO MERCHANTABILITY, FITNESS FOR A PARTICULAR PURPOSE, OR ANY OTHER MATTER WITH RESPECT TO THIS PRODUCT. The Company shall not be liable for consequential or special damages.

In order to place the warranty in effect, the accompanying registration card must be returned to us within ten days of purchase.



If you have questions regarding the contents of the instructions, please contact our Technical Service Department at ACR Electronics, Inc., Telephone +1 (954) 981- 3333.

ACR Electronics diligently works to provide high quality product support information, however, despite best efforts, information is subject to change without notice, and omissions and inaccuracies are possible. ACR cannot accept liability for manual contents. To ensure that you have the most recent version of the Product Support Manual, please visit the ACR website at www.acrartex.com.

©2009 by ACR Electronics, Inc. All rights reserved. Reproduction in whole or in part is permitted only with permission of ACR Electronics, Inc.

Trademarks or registered trademarks are the property of their respective owners.