

OWNER'S MANUAL FOR STYLE #1390
M-24 MANUAL NON-COAST GUARD APPROVED DELUXE IPFD
CARE AND MAINTENANCE INSTRUCTIONS

PFD LIFE EXPECTANCY

The reliability and service life of this PFD depends greatly on the use and care it receives.

1. Avoid storing the PFD in direct sunlight. Sunlight contains ultraviolet radiation that weakens synthetic materials.
2. Avoid prolonged exposure to high temperatures and high humidity as this exposure may shorten the service life of this PFD.

While it is known that these elements degrade the materials, every use environment is unique so there is no sure way to estimate how long the PFD will last. You must follow the Care and Cleaning Instructions and perform the maintenance and service checks at regular intervals as specified to maximize the useful life of this PFD. Failure to follow these instructions could result in a non-functioning PFD causing injury or death.

CARE AND CLEANING

1. Drying – If the device is wet, place on a coat hanger to allow thorough drying. Do not place in direct sunlight to dry. Do not use a heat source or place on a radiator.
2. Cleaning – Damp wipe only with a mild detergent recommended for synthetic fabrics. Remove grease and oil immediately. Rinse well with fresh water. Read instructions provided on the device.

- DO NOT MACHINE WASH
- DO NOT DRY CLEAN
- DO NOT USE SOLVENT BASED CLEANERS
- DO NOT MACHINE DRY
- DO NOT BLEACH

STORAGE

1. STORE IN CLEAN, COOL DRY AREA.
2. DO NOT STORE IN DIRECT SUNLIGHT.

REARMING YOUR PFD

You must rearm your PFD per the rearming instructions included in this manual. The following summary provides an overview of the rearming process:

1. Make sure your PFD is clean, dry, and laid out flat on a clean surface.
2. Make sure the lever is in the closed position (upright).
3. Push in the green rearming tab to retain the lever.
4. Firmly screw in the CO2 cylinder into the inflator (ensure the cylinder has been checked before fitting and replace if necessary)

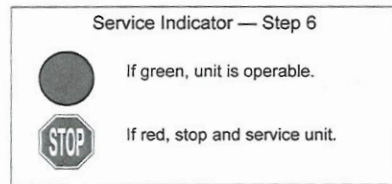
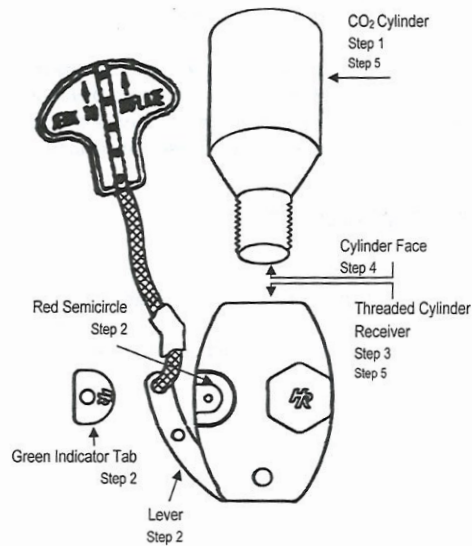
USE REARMING KIT:

Onyx/Kent brand style number: #135000 (K301)
Maximum Inflation brand part number: 840AMU-84204Z

MANUAL INFLATOR SYSTEM 840 SERIES REAMRING INSTRUCTIONS

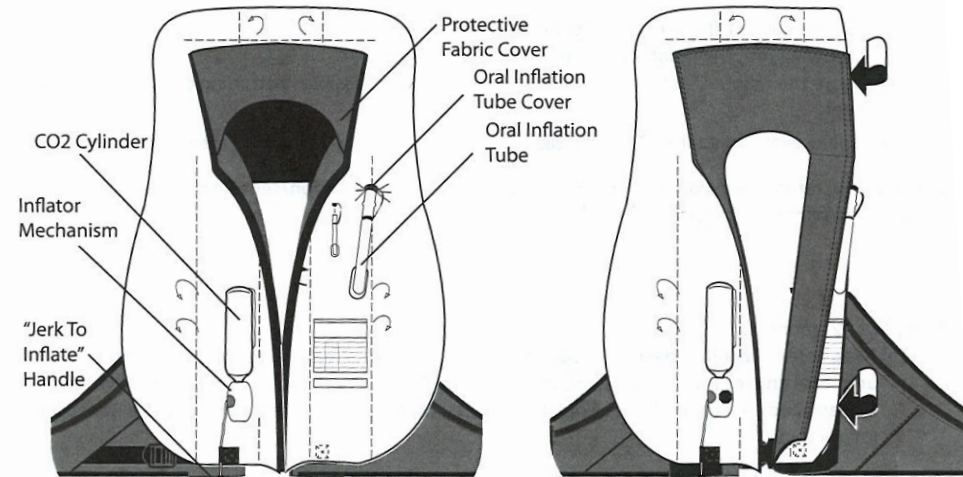
- Step 1. **Unscrew used CO₂ cylinder** in a counter-clockwise direction and immediately discard. **Do not insert new cylinder at this time.** To avoid confusion later in the rearming process, we suggest you throw away the old CO₂ cylinder now.
- Step 2. **Close manual inflator arm** within inflator body and carefully insert a new green indicator tab so that it fully covers the red semicircle on the body.
- Step 3. **Look into threaded cylinder receiver and view the gasket** If worn, replace with Halkey-Roberts 849M gasket for 3/8" receiver or 849AML for 1/2" receiver.
- Step 4. **Inspect the face of the new cylinder.** Be sure it is smooth and has no holes or scratches. There is a gross weigh on the cylinder. If you have any question about cylinder integrity, weigh the cylinder on a small scale, such as a postage scale. Compare the weight printed on the cylinder to the actual weight. If they do not match, get another cylinder.
- Step 5. Screw new cylinder in a clockwise direction firmly into the inflator. **Do not over-tighten**, but ensure the fit is tight.
- Step 6. **Check the inflator arming indicator every boating trip.** It will tell you if there is a need for service. Check the cylinder face regularly to ensure it is not punctured.

Halkey-Roberts 840 Series Manual Inflator Rearm Instructions



C840REAM_Rev.A

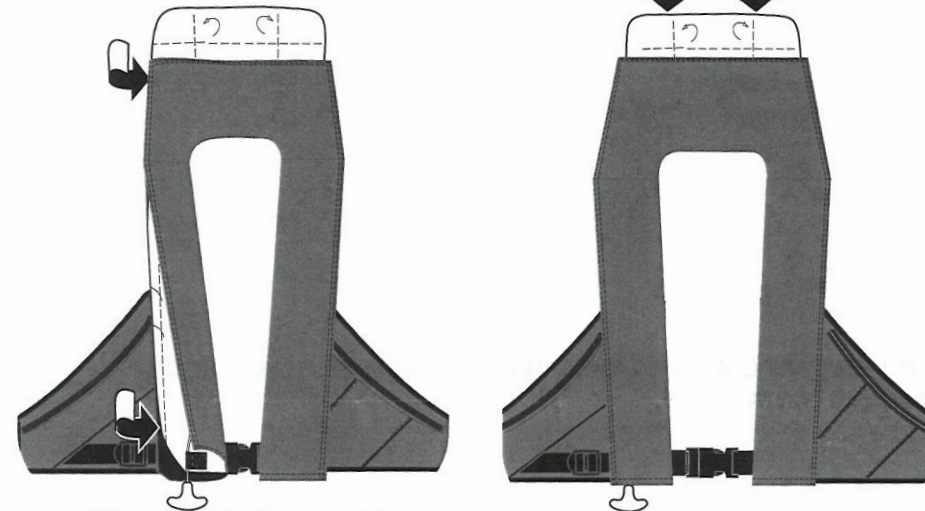
REPACKING INSTRUCTIONS



Step 1: Deflate all the air from the yellow inflatable chamber. Rearm the inflator mechanism (See instructions located on sewn in label).

Step 2: Fold the edge of the yellow inflatable chamber under.

Step 3: Fold the front over and match the hook and loop on the side of the cover. Press to secure the hook and loop.



Step 4: Fold the other side of the yellow inflatable chamber under.

Step 5: Fold the front over, match and secure the hook and loop on this side of the cover

Step 6: Fold the top edge of the yellow chamber under so it is inside the cover. Match and secure the hook and loop.

Step 7: Make sure the red "Jerk to Inflate" handle is readily accessible at the bottom of the life jacket.

VISUALLY INSPECT AND LEAK TEST YOUR PFD

1. Before each use:

- a) Examine each of the service indicators ensuring they are green.
If showing red, the inflator requires servicing/rearming.
- b) Ensure the manual "Jerk to Inflate" tab is visible and accessible protruding outside the packed cover.
- c) Visually examine your PFD for any signs of damage, wear and tear or contamination.

If in any doubt, return/take your PFD to an approved dealer for evaluation/servicing (see contact information below).

2. Every two (2) months:

- a) Leak Test: The inflatable PFD should be tested for general leakage by orally inflating your PFD until firm and let it stand for 16 hours. A leaking PFD will not hold its firmness and should be replaced. If your PFD does hold its firmness, then repack the PFD following the Repacking Instructions.
- b) Perform a thorough visual inspection as mentioned in "1c" above.

3. After each inflation:

- a) Rearm your PFD using an approved Rearming Kit.

4. Annually Service:

- a) Perform a leak test.
- b) Visually inspect your PFD as outlined above in 1c.

IF YOU HAVE ANY QUESTIONS ABOUT THE INITIAL ARMING, REARMING, OR REPACKING CONTACT:

M ACHDVEC
Monticello, MN • 763.263.9835
jay@machovec.com
www.machovec.com