



ACR HemiLight™ 2

Survivor Light



SIGNALING LIGHTS



THE SCIENCE OF SURVIVAL



Scan With Phone
www.ACRARTEX.com



ACR HemiLight™₂

Survivor Light



The choice of cruise lines worldwide, the ACR Auto HemiLight™₂ attaches to almost any style life jacket. It is smaller than other approved lights and features rounded edges to maintain inflation bladder integrity in inflatable jackets.

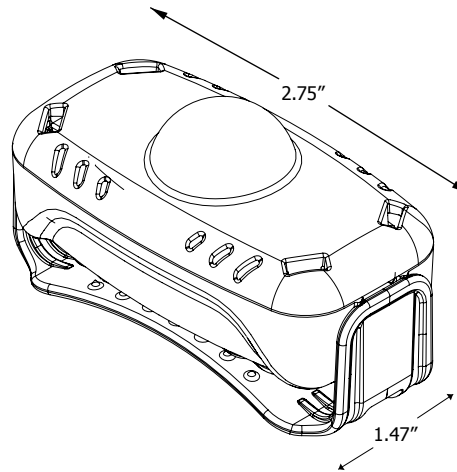
The all new LED light activates when in contact with salt or fresh water and can be deactivated by sliding the switch to the off position. Installation is quick and

simple with the all new Dragon Clip™ which provides secure retrofit attachment to almost any style life jacket in a matter of seconds.

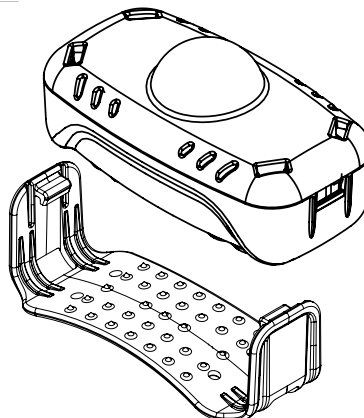
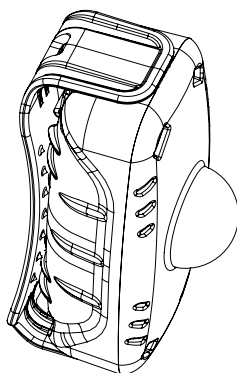


SPECIFICATIONS

Product Number	3768 bulk 3768.1 carded
Model Number	HL8-10
Size	2.75 x 1.47 x 1.37" (6.9 x 3.7 x 3.5 cm)
Weight	1.9 oz (55g)
Battery	Non-hazardous lithium. 5 yr life (not replaceable) Meets DOT and IATA rules for safe transport
Material	Polycarbonate
Activation	Automatic when in contact with water (fresh or salt), deactivate via manual switch
Waterproof	Water tight to 30 ft (9.14 m) Meets IMO standard
Beam Angle	All directions of the upper hemisphere
Operational Life	Exceeds 8 hr. requirement Typical operational life of 16 hrs
Operating Temp	+30°F to +86°F (-1°C to 30°C)
Stowage Type	-22°F to +149°F (-30°C to +65°C)
Approvals	USCG SOLAS, MED SOLAS, Transport Canada
Limited Warranty	1 year



- Water-activated led flashing survival light with manual deactivation switch
- Meets USCG and SOLAS requirements
- Attachment Clip accommodate up to 5 cm (2 in) wide webbing
- Rounded edges to maintain integrity of inflatable life jackets
- Smaller than other approved lights
- Highly visible flashing led light
- Marine tough design for years of useful service



For further information please contact:

ACR Electronics, Inc.
5757 Ravenswood Road
Fort Lauderdale, FL 33312

Tel: (954) 981.3333
Fax: (954) 983.5087
Email: sales@acrartex.com